

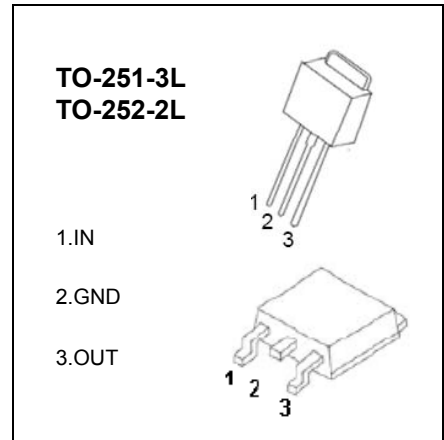


**TO-251-3L/TO-252-2L Plastic-Encapsulate Regulators**

**CJ78M05** Three-terminal positive voltage regulator

**FEATURES**

- Maximum output current  
I<sub>OM</sub>: 0.5 A
- Output voltage  
V<sub>O</sub>: 5V
- Continuous total dissipation  
P<sub>D</sub>: 1.25 W



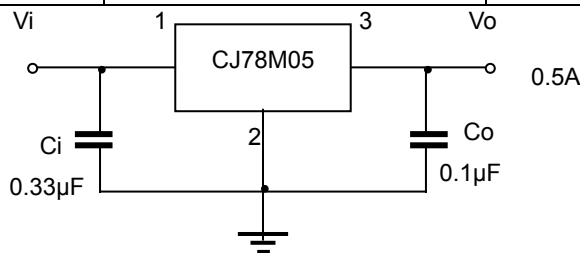
**ABSOLUTE MAXIMUM RATINGS (Operating temperature range applies unless otherwise specified)**

Parameter	Symbol	Value	Unit
Input Voltage	V <sub>i</sub>	25	V
Operating Junction Temperature Range	T <sub>OPR</sub>	0-+125	°C
Storage Temperature Range	T <sub>STG</sub>	-65-+150	°C

ELECTRICAL CHARACTERISTICS AT SPECIFIED VIRTUAL JUNCTION TEMPERATURE (V<sub>i</sub>=10V, I<sub>o</sub>=350mA, C<sub>i</sub>=0.33μF, C<sub>o</sub>=0.1μF, unless otherwise specified)

Parameter	Symbol	Test conditions	Min	Typ	Max	Unit
Output Voltage	V <sub>o</sub>	25°C	4.8	5	5.2	V
		7V ≤ V <sub>i</sub> ≤ 20V, I <sub>o</sub> = 5mA-350mA P <sub>o</sub> ≤ 15W	0-125°C	4.75	5	5.25
Load Regulation	ΔV <sub>o</sub>	I <sub>o</sub> = 5mA-0.5A	25°C	15	100	mV
		I <sub>o</sub> = 5mA-200mA	25°C	5	50	mV
Line Regulation	ΔV <sub>o</sub>	7V ≤ V <sub>i</sub> ≤ 25V, I <sub>o</sub> = 200mA	25°C	3	100	mV
		8V ≤ V <sub>i</sub> ≤ 25V, I <sub>o</sub> = 200mA	25°C	1	50	mV
Quiescent Current	I <sub>q</sub>	25°C	4.2	6	mA	
Quiescent Current Change	ΔI <sub>q</sub>	8V ≤ V <sub>i</sub> ≤ 25V, I <sub>o</sub> = 200mA	0-125°C		0.8	mA
		5mA ≤ I <sub>o</sub> ≤ 350mA	0-125°C		0.5	mA
Output Noise Voltage	V <sub>N</sub>	10Hz ≤ f ≤ 100KHz	25°C	40	200	μV
Ripple Rejection	RR	8V ≤ V <sub>i</sub> ≤ 18V, f = 120Hz, I <sub>o</sub> = 300mA	0-125°C	62	80	dB
Dropout Voltage	V <sub>d</sub>	I <sub>o</sub> = 350mA	25°C	2	2.5	V
Short Circuit Current	I <sub>sc</sub>	V <sub>i</sub> = 10V	25°C	300		mA
Peak Current	I <sub>pk</sub>	25°C		0.5		A

**TYPICAL APPLICATION**



# Typical Characteristics

# CJ78M05

